

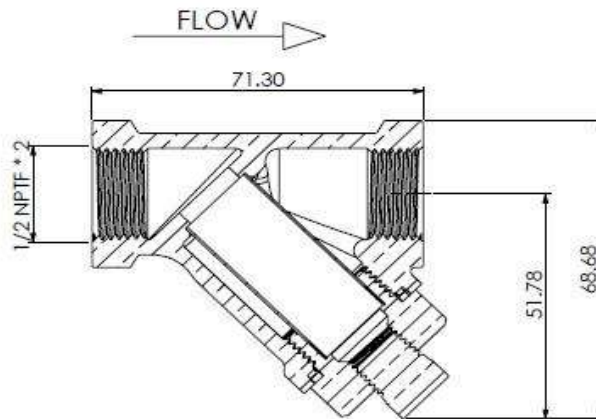
### APPLICATION

Marshall MTS Y-Strainer is designed for use on low temp liquid and gas pipe.

Suitable for LNG, LO2, LN2, LAr and other Non-corrosive gas.

### FEATURES

- Temperature Range: -196°C to 80°C
- Maximum Working Pressure: 600psi
- Size Range: 1/2"
- Body Material: Brass
- Seal Material: 25%Glass fiber filled PTFE
- Screen Material: Monel
- Mesh: 20-120
- 100% Factory Test



### MTS SERIES-ORDER NO

TYPE	CONNECTION
MTS	1/2"NPT